

TITLE : ISOMETRIC VIEW OF AN OBJECT GIVEN ITS TOP & FRONT VIEWS

SCALE :
1:1

NAME :
YASH VINAYVANSHI

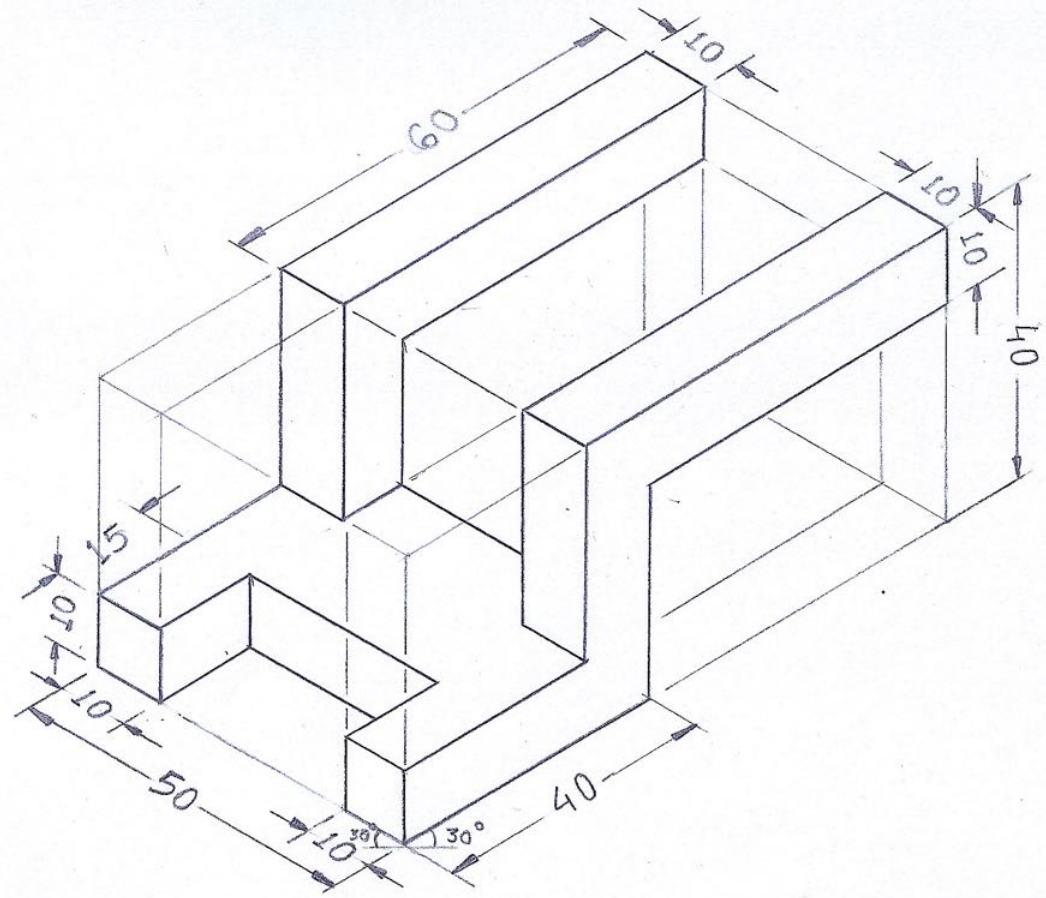
CLASS :
B.TECH II SEM SEC 'C'-72

ROLL NO.:
19BC5081

DRAWING NO.:
12

All dimensions in mm.

C-72



TITLE : ISOMETRIC VIEW OF AN OBJECT GIVEN IT'S TOP & FRONT VIEWS

SCALE
1:2

NAME:
YASH VINAYVANSHI

CLASS:
B. TECH II SEM SEC 'C' - 72

ROLL NO.:
19BC5081

DRAWING NO.:
14

All dimensions are in mm.

C-72

