

TITLE : PROJECTIONS OF A TRIANGULAR PYRAMID, CUT BY A SECTION PLANE PARALLEL TO H.P., RESTING ON GROUND ON IT'S BASE WITH EDGE AT ϕ ANGLE TO V.P.

NAME :
YASH VINAYVANSHI

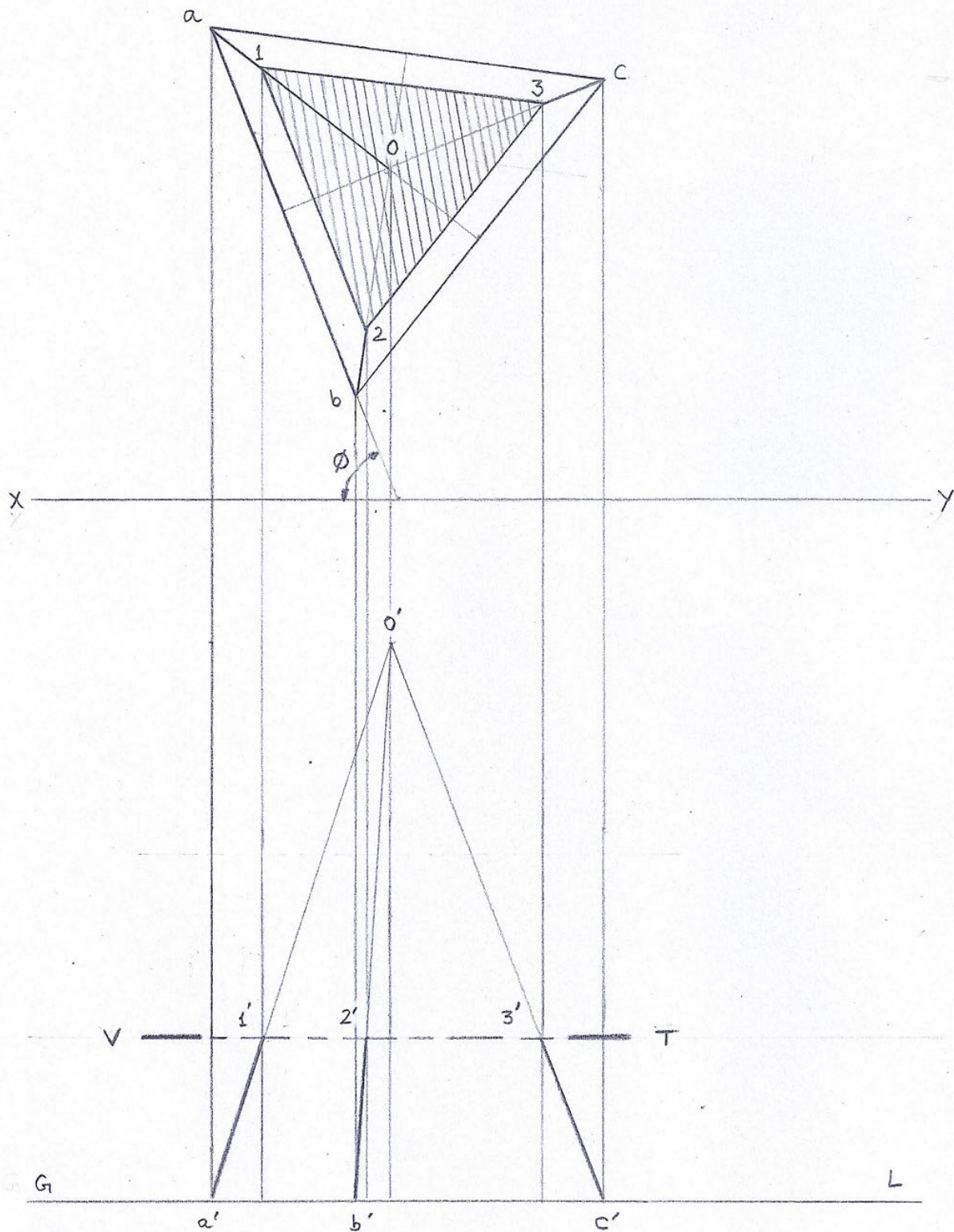
CLASS :
B.TECH II SEM SEC 'C'-72

ROLL NO. :
19BC5081

DRAWING NO. :
15

All dimensions in mm.

C-72



TITLE : PROJECTIONS OF A CUBE, CUT BY A SECTION PLANE PARALLEL TO THE VP, RESTING ON GROUND WITH ONE FACE INCLINED AT ϕ TO V.P.

NAME :
YASH VINAYVANSHI

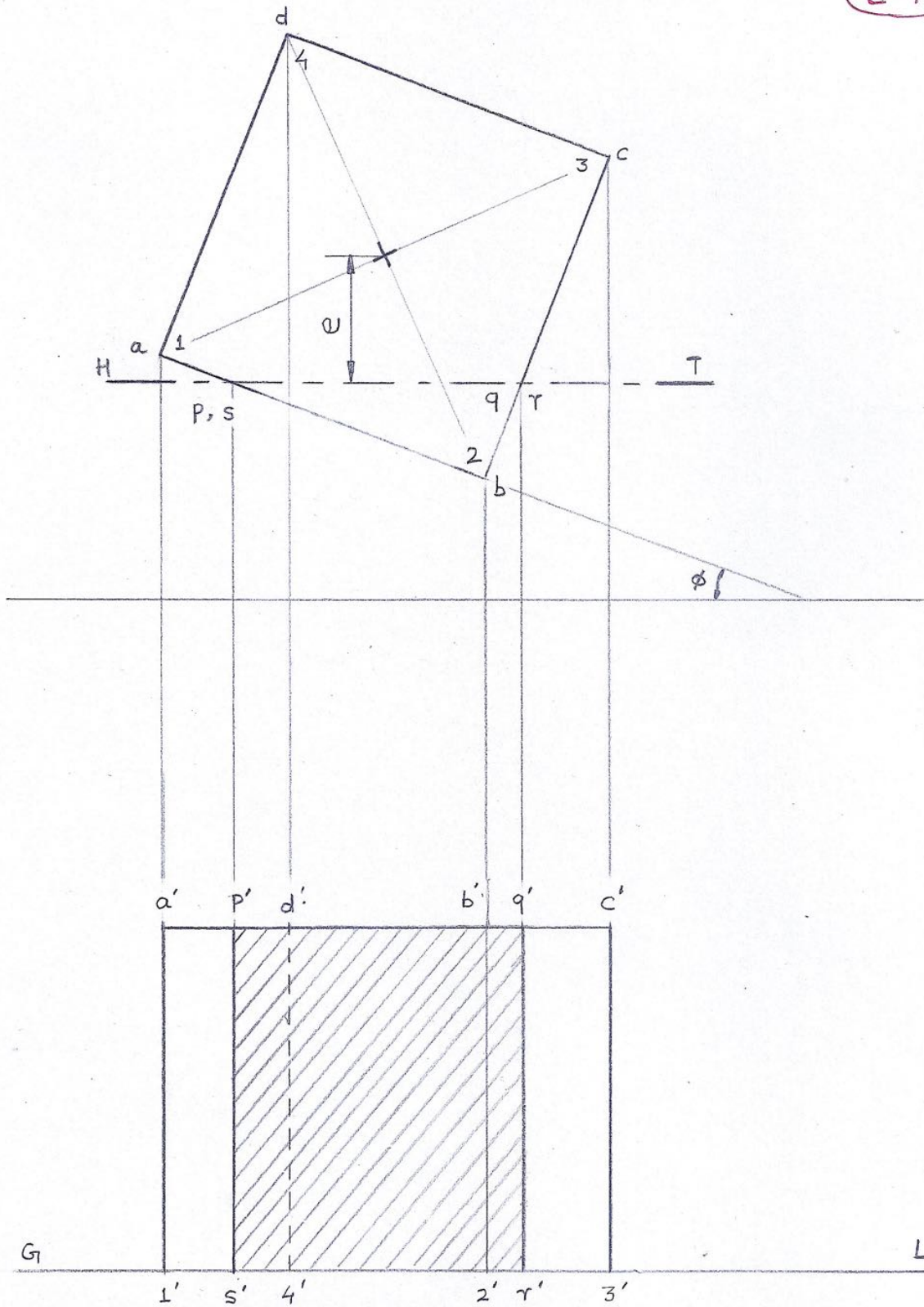
CLASS :
B.TECH II SEM SEC 'C'-72

ROLL NO. :
19BCSO81

DRAW. NO. :
16

All dimensions in mm.

E-72



TITLE : PROJECTIONS OF A HEXAGONAL PYRAMID, CUT BY A SECTION PLANE PERPENDICULAR TO BOTH H.P AND V.P. THE SOLID IS RESTING ON GROUND WITH ONE EDGE OF BASE PARALLEL TO THE V.P.

NAME:
YASH VINAYVANSHI

CLASS:
B. TECH II SEM SEC 'C'-72

ROLL NO.:
19BCS081

DRAWING NO.:
17

All dimensions are in mm.

C-72



TITLE : PROJECTIONS OF A CONE, CUT BY A SECTION PLANE PARALLEL TO THE V.P.. THE CONE IS RESTING ON ITS BASE ON THE GROUND

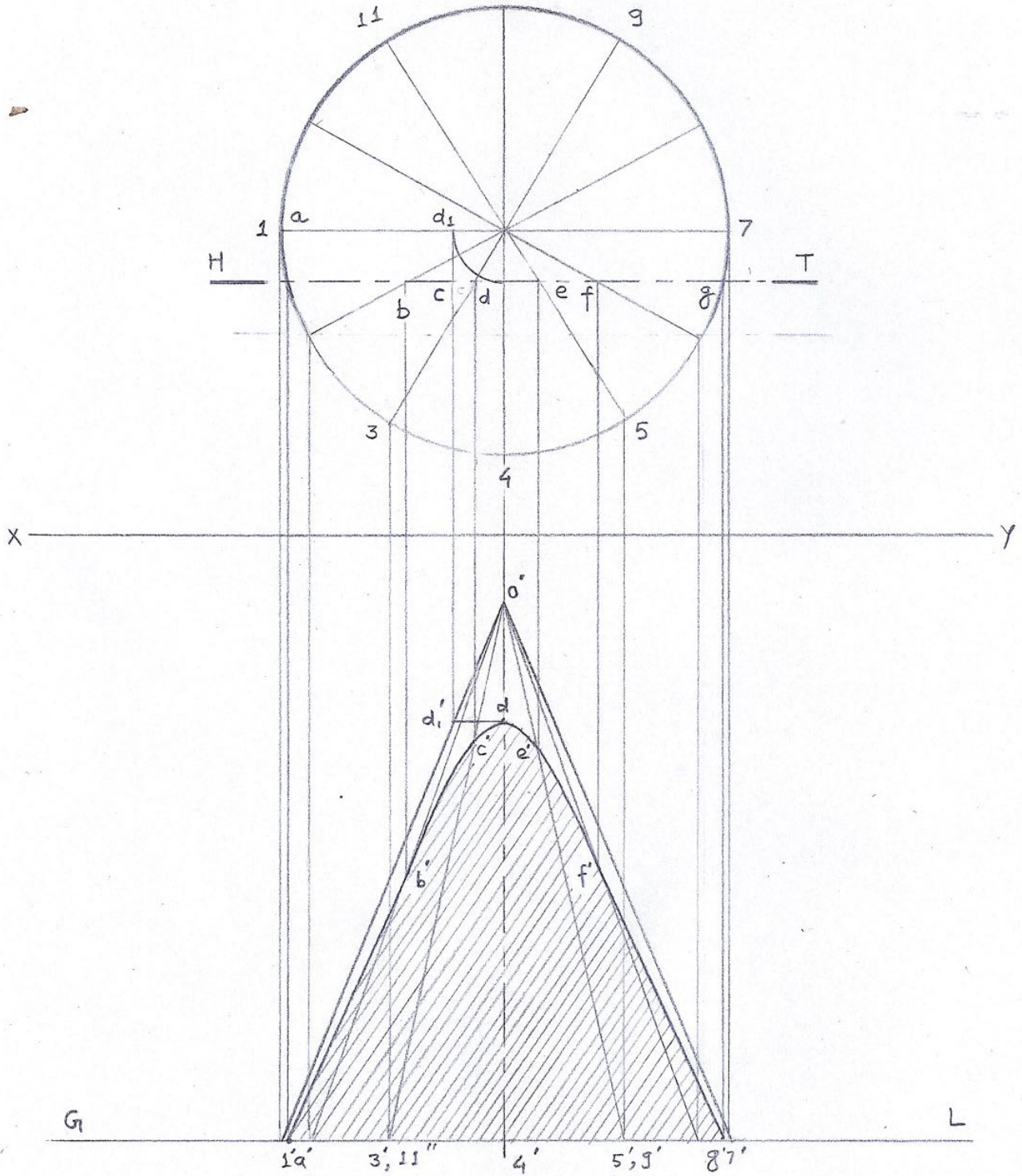
NAME :
YASH VINAYVANSHI

CLASS :
B.TECH II SEM SEC 'C'-72

ROLL NO. :
19BCS081

DRAW. NO. :
18

All dimensions in mm.



TITLE : TRIANGULAR PYRAMID, BASE 35-SIDE & AXIS 70 LONG IS RESTING ON THE GROUND ON ONE OF ITS FACES. AXIS OF SOLID INCL. AT 45° TO V.P. & CUT BY A SEC. PLANE II TO V.P & PASS THRU MID PT. OF BASE.

NAME :
YASH VINAYVANSHI

CLASS :
B.TECH II SEM SEC 'C'-72

ROLL NO. :
19BCS081

DRAWING NO. :
19

All dimensions are in mm.

C-72

